

Put Color Where You Want it...With

HYPER STAR **R****G****B****A**/W

Low Voltage Color Changing LED MR16 Light Fixture



HYPER STAR Ceiling Mount

- Rich Color Changing Effect
- Low Energy Consumption @ 24vdc Operation
- Power and Control Thru CAT5 Cable
- Fully DMX Controllable
- IP54 Rated For Indoor/Outdoor Use
- Long Life, In Excess of 50,000 Hours
- Clubs, Catering Halls, Restaurants, Homes
- Amusement Centers & Haunts



HYPER Star Controller-416



Salvin Design and Effects 308-B RT.28 KINGSTON NY. 12401 ...845-340-0489
www.salvin.biz or email vincent@salvin.biz

SPECIFICATIONS	
COLOR RANGE	4.3 Billion (32bit)
SOURCE LIFE	50,000 hours under normal operating conditions
LIGHT SOURCE	4 high power LEDs (Red, Green, Blue and Amber)
BEAM ANGLE	20, 40 deg.
POWER REQUIREMENT	350mA-750mA constant current per channel
POWER CONSUMPTION	8.8W Max at full intensity (RGBA/W)
LED TYPE	Luxeon Rebel x 4
HOUSING	Die cast aluminum painted silver
CONNECTION	Cat.5 cable with RJ45 connector
LISTINGS	Lamp CE certified Controller UL listed
OPERATION TEMPERATURE	-10 degC to +50 degC
STORAGE TEMPERATURE	-20 degC to +80 degC
DIMENSION	50mm(Dia) x 45mm(Depth)
WEIGHT	0.1Kg

PHOTOMETRIC DATA	
Light source specifications	
Optics:	PMMA lens
Light source:	4 high power LED (Red, Green, Blue, Amber)
Beam angle:	20 deg
Light distribution:	symmetric direct illumination

ILLUMINANCE

COLOR	1m		2m		3m		5m	
	Lux	Size (mm)	Lux	Size (mm)	Lux	Size (mm)	Lux	Size (mm)
RED	140	321	35.1	642	15.6	963	5.6	1605
GREEN	626	350	156	700	69.6	1050	25	1750
BLUE	92.5	360	23.1	720	10.3	1080	3.7	1800
AMBER	137	325	34.4	650	15.3	975	5.5	1625
WHITE	877	337	219	675	97.5	1012	35.2	1687

* light pattern indicates the size at 50% of peak intensity

LIGHT OUTPUT

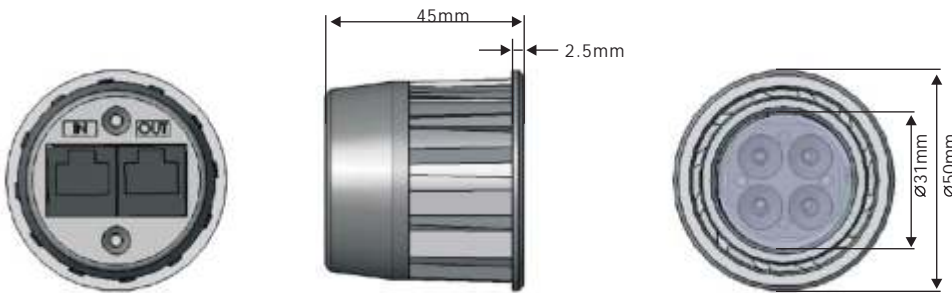
COLOR	Total (lumens)	Power(watts)	Efficacy(lm/W)
RED	34	2.1	16.2
GREEN	68	2.1	32.4
BLUE	12.2	2.1	n/a
AMBER	27.5	2.1	3.4
WHITE	142.5	8.4	17.0

* tested under RAY LED DRIVER control

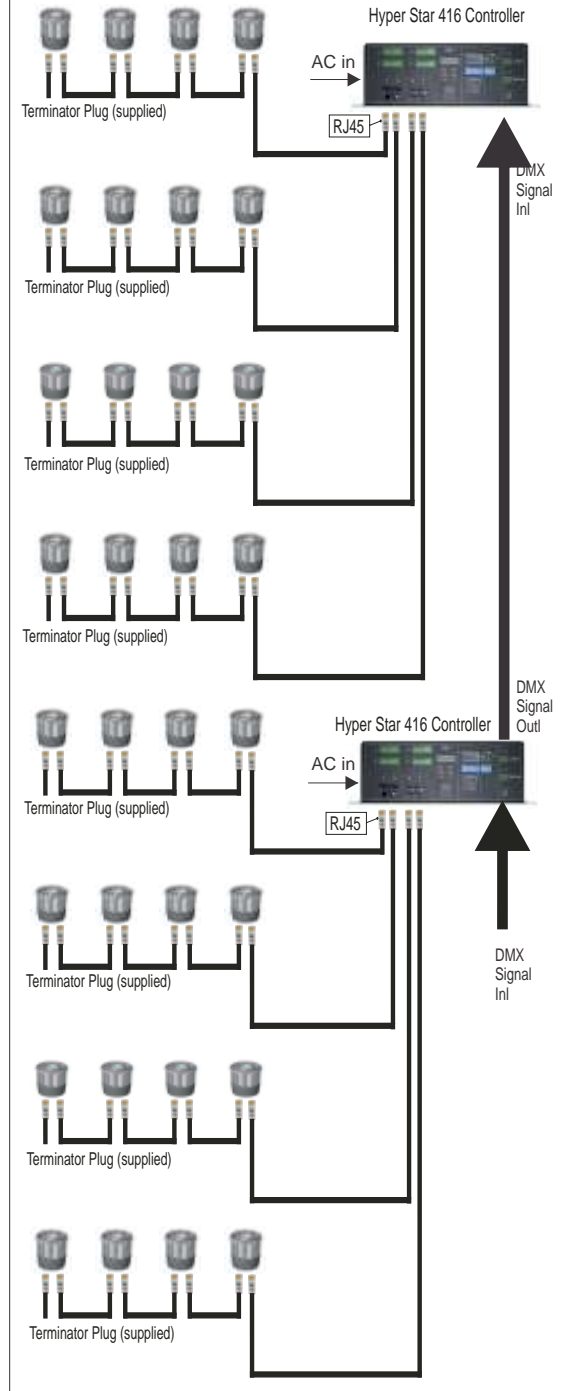
LIGHT COLOR

LED TYPE	COLOR TOTAL	TOTAL FLUX	LENGTH&COLOR TEMP
Luxeon Rebel	RED	40lm	627nm
Luxeon Rebel	GREEN	80lm	530nm
Luxeon Rebel	BLUE	250mW	455nm

PHYSICAL DIMENSIONS



Typical Installation Of 32 Hyper Stars



Hyper Star 416 Driver has built-in 7 preset programs with 8 selectable fade time & chasing speed
Hyper Star 416 Driver has 1,2,4 DMX switchable Zone modes.

ORDERING CODE

Part Number	Description
CRMR-8W-RGBA-20	MR-16 RGBA Luxeon Rebel x4 LED
CRMR-8W-RGBA-40	MR-16 RGBA Luxeon Rebel x4 LED
CRMR-8W-RGBW-20	MR-16 RGBW Luxeon Rebel x4 LED
CRMR-8W-RGBW-40	MR-16 RGBW Luxeon Rebel x4 LED
Controller	Hyper Star Controller 120/220vac